

## FilterFlow Automatic Water Boilers

### Key Features

- Type: Electric
- Built-in filtration cartridge
- Electronic control system
- Adjustable temperature (70 – 96°C)
- Standby mode
- Advanced diagnostics
- LCD information panel
- Non-drip tap
- WRAS approved
- Choice of rear or bottom power and water entry



WMB3F

### Construction

- Body: stainless steel grade 430 and toughened glass
- Internal tank: stainless steel grade 304

### Available Options

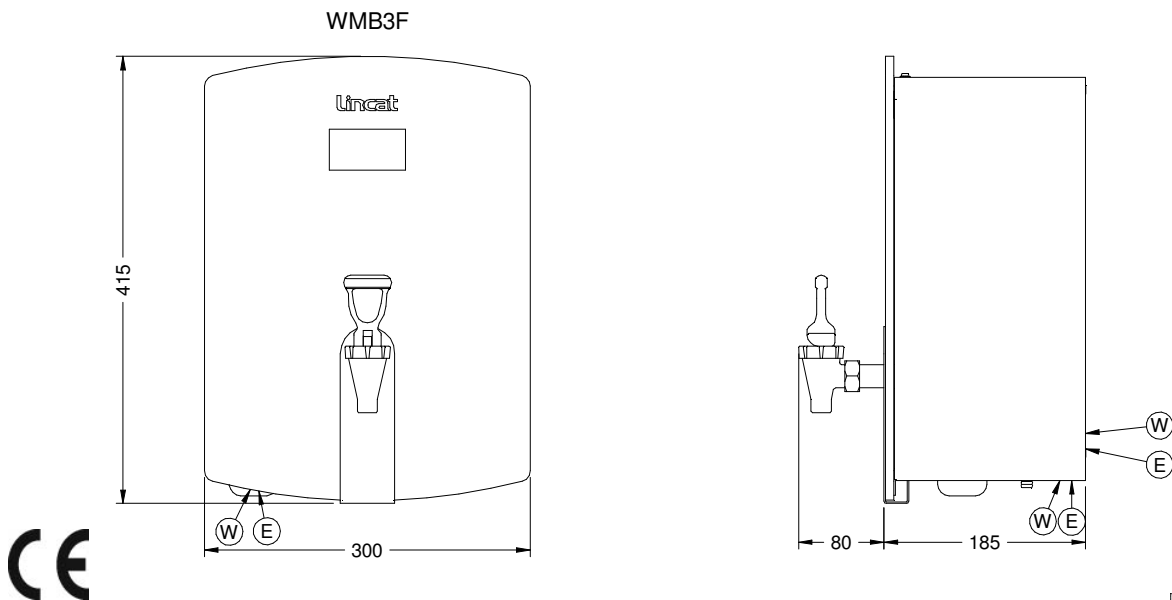
- Choice of black / white glass

### Available Accessories

- FC02 Replacement filter cartridge
- DR72 Drip Tray

## Specifications

Model	WMB3F
External height (mm)	652
External width (mm)	290
External depth (mm)	465
Output per hour (litres)	31
Rapid Draw-off (litres)	3.5
Recovery per minute (litres)	0.52
Net weight (unpacked) kg	9
Gross weight (packed) kg	11
Shipping volume (m <sup>3</sup> )	0.19
Water inlet connection	3/4" BSP male
Water inlet pressure (bar)	1 to 8
Total power rating (kW)	3
Standby power consumption (kW)	0.6
Electrical supply 1N~+E 230V 50-60Hz Current Rating (A)	13
Electrical supply 3N~+E 400V 50-60Hz Current Rating (A)	N/A



Lincat Limited, Whisby Road,  
Lincoln LN6 3QZ,  
United Kingdom

UK Sales Tel: 01522 875500 UK Spares Tel: 01522 875510 UK General Tel: 01522 875555  
 UK Fax: 01522 875530 International Sales Tel: +44 1522 503250 International Fax: +44 1522 875530  
 Website: www.lincat.co.uk UK Sales e-mail: sales@lincat.co.uk International Sales e-mail: export@lincat.co.uk



Document ref:  
FILTERFLOWBOILERS  
Issue date: Aug 11